

**TOORX**  
FITNESS IN MOTION

# BEDIENUNGSANLEITUNG



## WBX65

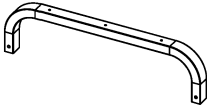
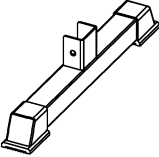
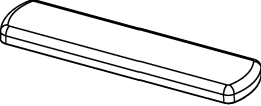


Cod : GRLDTOORXWBX65

Rev : 00

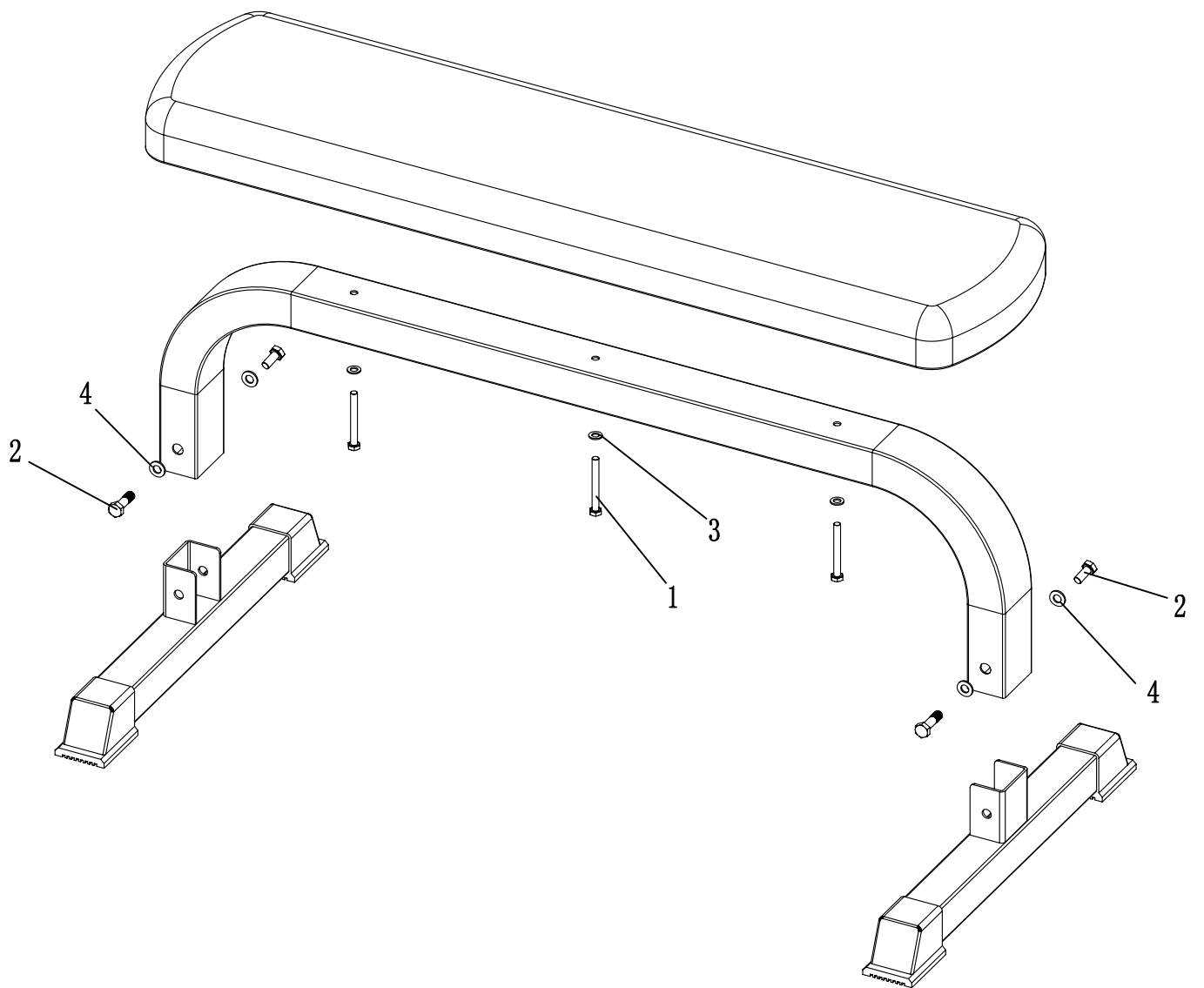
Ed : 07/18

# Teileliste

A (1St.) 	B (2St.) 	C (1St.) 	
---	---	--	--

# Liste

Serial number	Specification Name	Quantity
1	bolt M8*65	3
2	bolt M10*20	4
3	washer $\varnothing 8$	3
4	washer $\varnothing 10$	4





GARLANDO SPA  
Via Regione Piemonte, 32 - Zona Industriale D1  
15068 - Pozzolo Formigaro (AL) - Italy  
[www.toorx.it](http://www.toorx.it) - [info@toorx.it](mailto:info@toorx.it)