

TOORX
FITNESS IN MOTION

INSTRUCTION



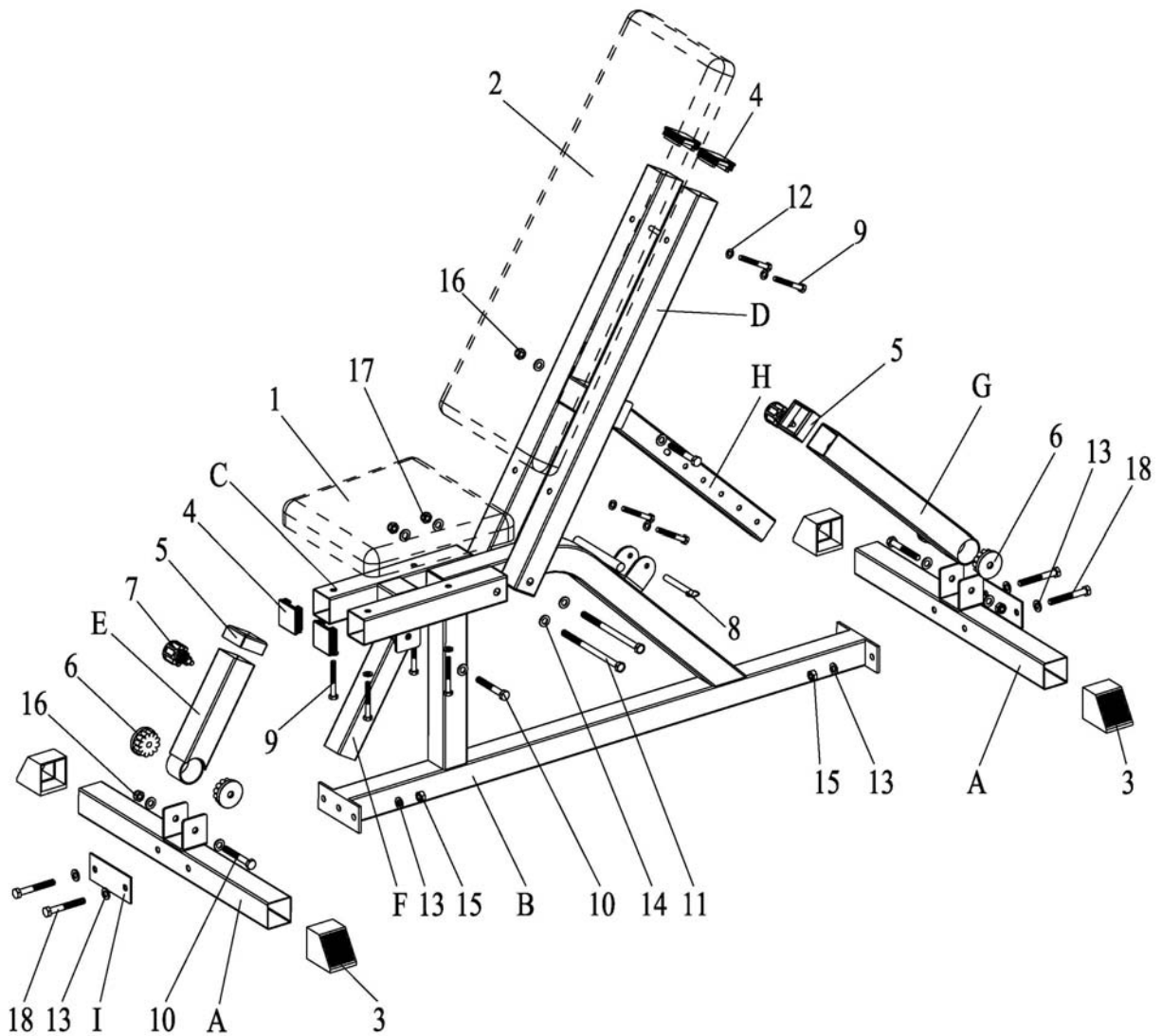
WBX85



Cod : GRLDTOORXWBX85

Rev : 00

Ed : 07/18



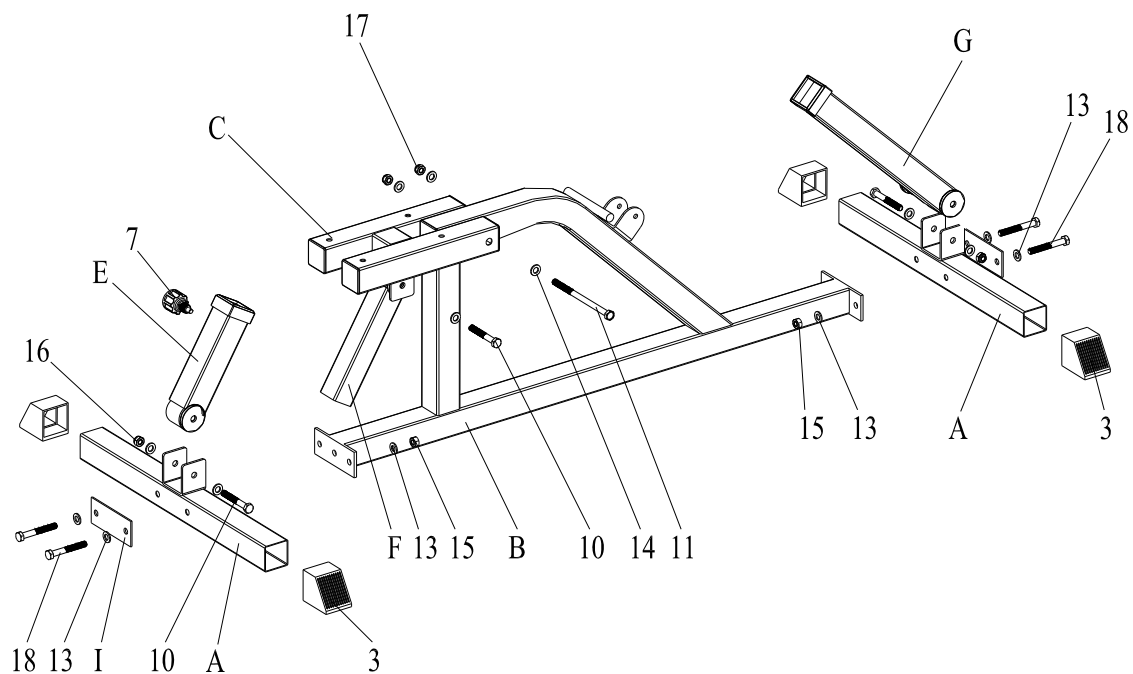
PARTS LIST

NUMBER	DESCRIPTION	QUANTITY
A	BASE	2
B	MAIN FRAME	1
C	SEAT PAD SUPPORT	1
D	BACKREST PAD SUPPORT	1
E	FRONT ADJUSTMENT HOUSING	1
F	FRONT ADJUSTMENT TUBE	1
G	BACK ADJUSTMENT HOUSING	1
H	BACK ADJUSTMENT TUBE	1
I	JOINT PLATE	2

1	SEAT PAD	1
2	BACKREST PAD	1
3	SQUARE END CAP	4
4	SQUARE CAP	9
5	PLASTIC ADAPTER 50*45	2
6	PLASTIC BUSHING 50*10	8
7	FAST PIN	2
8	PIN	1
9	BOLT M8*65	8
10	BOLT M10*90	4
11	BOLT M12*170	2
12	WASHER 8	8
13	WASHER 10	16
14	WASHER 12	4
15	NUT M10	4
16	LOCK NUT M10	4
17	LOCK NUT M12	2
18	BOLT M10*75	4

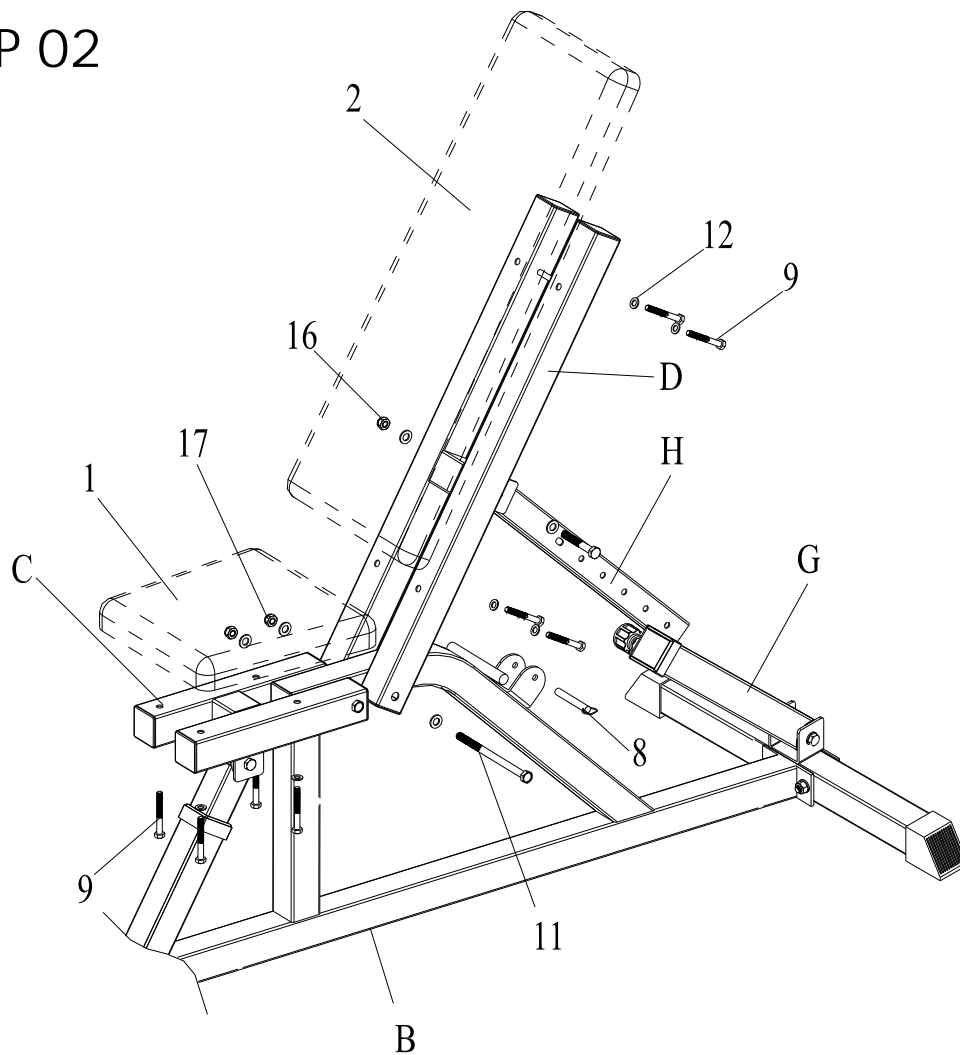
ASSEMBLY INSTRUCTIONS

STEP 01



1. Attach **A** to **B** with **I**, **18**, **13** and **15**, and then push **3** onto **A**.
2. Attach **E** to **A** with **10**, **13** and **16**.
3. Attach **C** to **E** with **7**.
4. Attach **F** to **C** with **10**, **13** and **16**.
5. Attach **C** to **B** with **11**, **14** and **17**, and then attach **F** to **E** with **7**.
6. Attach **G** to **A** with **10**, **13** and **16**.

STEP 02



1. Attach **H** to **D** with **10**, **13** and **16**.
2. Attach **D** to **B** with **11**, **14** and **17**, and then attach **H** to **G** with **7**
(or attach **H** to **B** with **8**).
3. Attach **1** to **C** with **9** and **12**.
4. Attach **2** to **D** with **9** and **12**.



GARLANDO SPA
Via Regione Piemonte, 32 - Zona Industriale D1
15068 - Pozzolo Formigaro (AL) - Italy
www.toorx.it - info@toorx.it